



Buddy II

Instructions for use

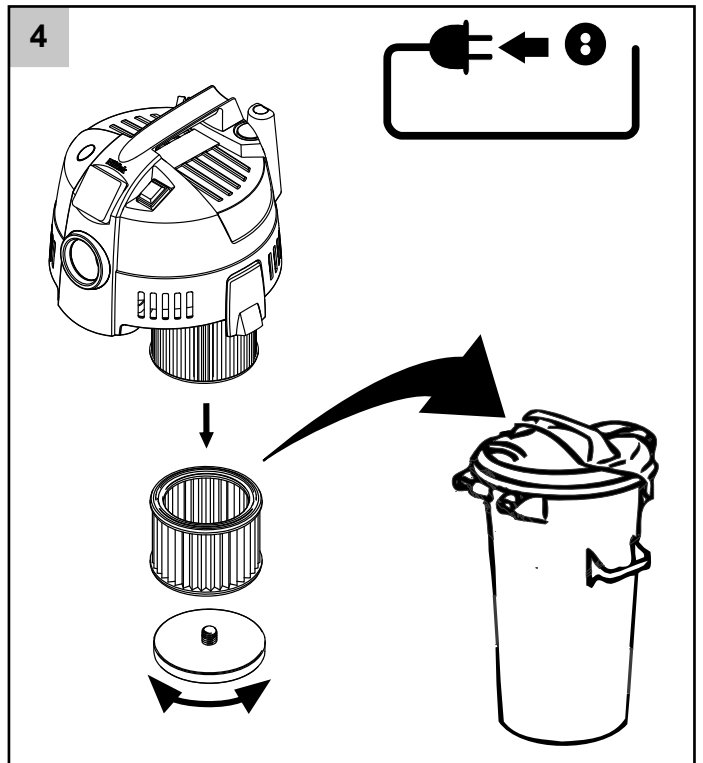
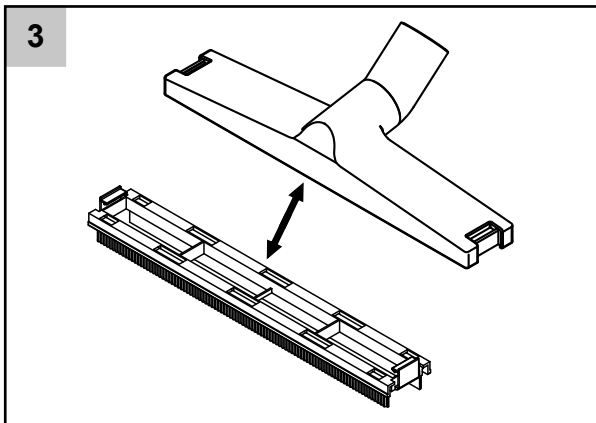
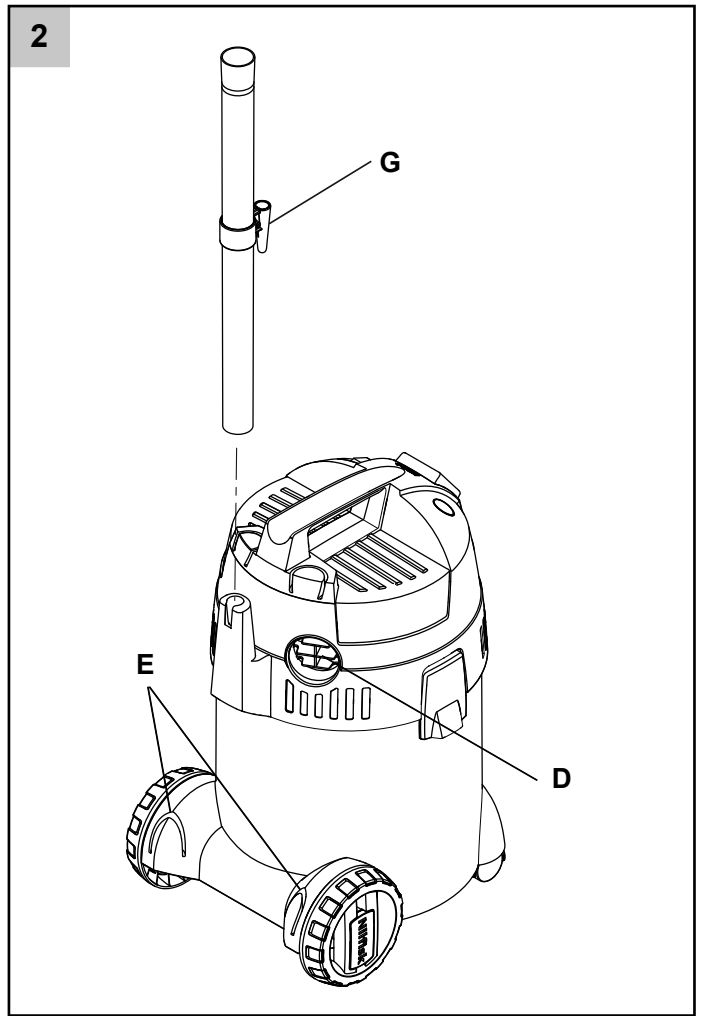
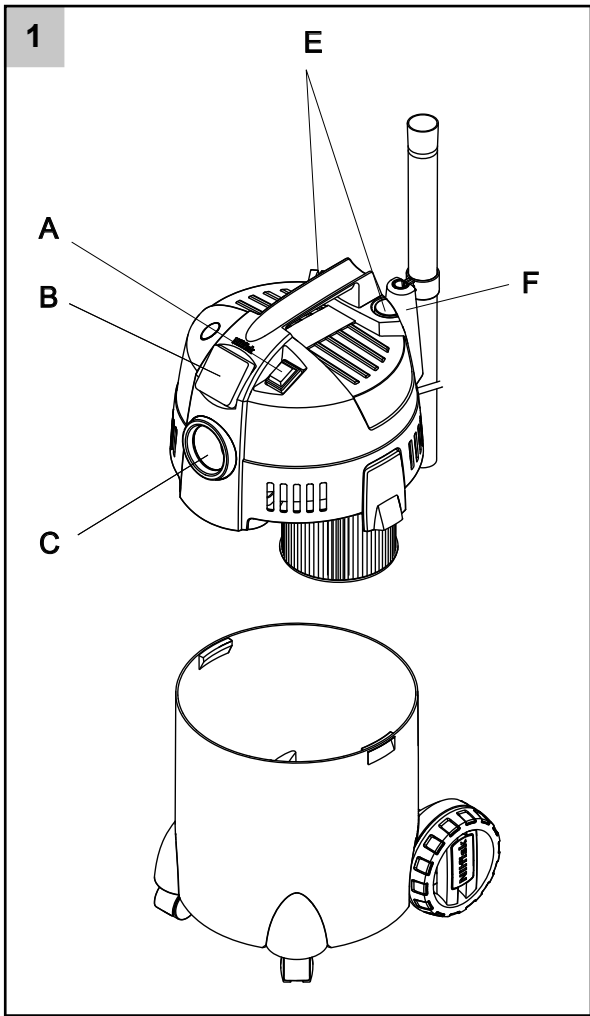




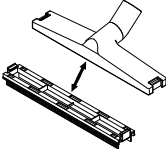


Nilfisk Buddy II

EN	Instructions for use	6 - 10
DE	Betriebsanleitung	11 - 15
FR	Instructions d'utilisation	16 - 20
ES	Instrucciones de manejo	21 - 25
PT	Instruções de operação	26 - 30
IT	Istruzioni sull'uso	31 - 35
NL	Gebruiksaanwijzing	36 - 40
EL	Οδηγίες χρήσης	41 - 45
SV	Bruksanvisning	46 - 50
NO	Instruksjonsbok	51 - 55
DA	Brugsvejledning	56 - 60
FI	Käyttöohje	61 - 65

- EN
- DE
- FR
- ES
- PT
- IT
- NL
- EL
- SV
- NO
- DA
- FI



Optional accessories - Optionales Zubehör - Accessoires en option - Accesorios opcionales - Acessórios opcionais - Accessori opzionali - Optionele accessoires - Προαιρετικά εξαρτήματα - Valfría tillbehör - Valgfritt tilbehør - Ekstra tilbehør - Lisävarusteet

81943049	Wet/dry nozzle	
81943047	Filter kit	
81943048	Dust bag 4 pcs.	

EN

DE

FR

ES

PT

IT

NL

EL

SV

NO

DA

FI

EN

Dear Nilfisk customer

Congratulations on the purchase of your new Nilfisk vacuum cleaner.

DE

FR

Prior to using the appliance for the first time, be sure to read this document through and keep it ready to hand.

ES

PT

IT

Purpose and intended use

The vacuum cleaner is suitable for private use, e.g. for household, hobby workshops, car cleaning - sucking up non-hazardous dust and non-flammable liquids.

NL

Symbols used to mark instructions**WARNING**

Danger that can lead to serious injuries and damage.

EL

SV

NO

Important warnings**WARNING**

- No changes to the mechanical, electrical or thermal safety devices must be made.
- This appliance can be used by children aged from 8 years and above and persons with reduced physical, sensory or mental capabilities or lack of experience and knowledge if they have been given supervision or instruction concerning use of the appliance in a safe way and understand the hazards involved.
- Children shall be supervised to make sure that

DA

FI

they do not play with the appliance.

- Cleaning and user maintenance shall not be made by children without supervision.
- Never spray water on the upper section of the vacuum cleaner. Danger for persons, risk or short-circuiting.
- Never use the vacuum cleaner if the filter is not installed or if damaged.
- The vacuum cleaner features a blow function. Do not blow the air out in the open space. Only use the blow function with a clean tube. Dust may be harmful to health.

Hazardous materials**WARNING**

Vacuuming up hazardous materials can lead to serious or even fatal injuries. The following materials must not be picked up by the vacuum cleaner:

- hazardous dust
- hot materials (burning cigarettes, hot ashes etc.)
- flammable, explosive, aggressive liquids (e.g. petrol, solvents, acids,

- alkalis, etc.)
- flammable, explosive dust (e.g. magnesium or aluminium dust etc.)

Electrical connection

WARNING

- ⚠ • Before using the vacuum cleaner make sure that the voltage shown on the rating plate of the vacuum cleaner corresponds to the voltage of the local mains power supply.
- It is recommended that the vacuum cleaner should be connected via a residual current circuit breaker.
- The vacuum cleaner must not be used if the electrical cable or plug shows any sign of damage. Regularly inspect the cable and the plug for damage. If the power cord is damaged, it must be replaced by Nilfisk Service or an electrician to avoid danger before use of the vacuum cleaner is continued.
- Do not handle the electrical cable or plug with wet hands.
- Do not unplug by pulling on cable. To unplug,

grasp the plug, not the cable. The plug must always be removed from the socket outlet before starting any service or repair work of the machine or cable.

Maintenance

Always remove the electric plug from the socket before carrying out maintenance work on the machine.

Recycling the vacuum cleaner



The packaging materials can be recycled. Please recycle the components instead of throwing them in your household rubbish. You can also leave the packaging directly at your Nilfisk location to be properly recycled from there.

As specified in WEEE Directive 2012/19/EC on old electrical and electronic appliances, used electrical goods must be collected separately and recycled ecologically. Contact your local authorities or your nearest dealer for further information.

Warranty

Nilfisk guarantees vacuum cleaners for domestic use for 2 years. If your vacuum cleaner or accessories is/are handed in for repair, a copy of the receipt must be enclosed.

Guarantee repairs are being made on the following conditions:

- that defects are attributable to flaws or defects in materials or workmanship. (wear and tear as well as misuse are not covered by the guarantee).
- that the directions of this instruction manual have been thoroughly observed.
- that repair has not been carried out or attempted by other than Nilfisk-trained service staff.
- that only original accessories have been applied.
- that the product has not been exposed to abuse such as knocks, bumps or frost.
- that the vacuum cleaner has not been used for rental nor used commercially in any other way.

Batteries, lamps and wearing parts are excluded from the warranty.

In the event of defects arising during the duration of

EN

DE

FR

ES

PT

IT

NL

EL

SV

NO

DA

FI

EN

the warranty and of which Nilfisk is given notice, Nilfisk will, of their own choice, either repair the defects, replace the unit or refund the purchase price upon return of the unit. Opening the unit housing causes the warranty to become void. Further claims may not be made on the basis of the warranty. The statutory warranty rights of the customer remain unaffected. Manufacturer warranty claims shall be made to the manufacturer. Statutory warranty rights also remain unaffected in this case.

DE

FR

ES

PT

IT

NL

EL

SV

NO

DA

FI

Addendum Australia:

Our goods come with guarantees that cannot be excluded under the Australian Consumer Law. You are entitled to a replacement or refund for a major failure and for compensation for any other reasonably foreseeable loss or damage. You are also entitled to have the goods repaired or replaced if the goods fail to be of acceptable quality and the failure does not amount to a major failure.

Nilfisk vacuum cleaners for domestic use are warranted for 2 years from the date of purchase by:

Nilfisk Pty Ltd
Unit 1/13 Bessemer Street
Blacktown NSW 2148
Phone: 1300 556 710
E-mail: Warranty.au@nilfisk.com

Find your local service agent here:
<http://www.nilfisk.com.au>.

The benefits under this warranty are in addition to your national law of sale.

Picking up liquids

Before liquids are picked up, always remove the filter bag. Insert filter for wet operation. Check that the float works properly. If foam develops or liquid emerges from the machine, stop work immediately and empty the dirt tank.

Connecting electrical appliances

Use the socket on the vacuum cleaner for the purpose defined in the operating instructions only. Before plugging an appliance into the appliance socket:

1. Switch off the vacuum cleaner.
2. Switch off the appliance to be connected.
CAUTION! Follow the operating instructions and safety instructions for appliances connected to the power tool socket. Always unwind the cable of the vacuum cleaner completely before use.
3. **CAUTION!** IP24 only when water-proof lid closed and without plug.

The power consumption of the connected appliance must never exceed the value stated on the type plate of the vacuum cleaner.

The operating voltage shown on the rating plate must correspond to the voltage of the mains power supply.

Parts identification (ref. illu. 1&2, page 4)

- A. On/off switch
- B. Connection of powertool*
- C. Connection of suction hose
- D. Connection to blow function
- E. Accessory storage
- F. Cable storage
- G. Quick park

* Varies depending on model.

Technical specifications

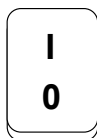
Model	Buddy II 12	Buddy II 18	Buddy II 18 Inox	Buddy II 18T	Buddy II 18T Inox
	EU, UK, ZA, AU, CN	EU, UK, ZA, AU, CN	EU, UK, ZA, AU, CN	EU, UK, ZA, AU, CN	EU, UK
	12 l	18 l	18 l Inox	18 l with elec. outlet	18 l Inox with elec. outlet
Voltage (V)	220 - 240	220 - 240	220 - 240	220 - 240	220 - 240
P _{NOM} (W)	1150	1150	1150	1150	1150
P _{max} (W)	1250	1250	1250	1250	1250
Power socket max (W)	NA	NA	NA	1100	1100
IP	X4	X4	X4	X4	X4
Tank capacity (l)	12	18	18	18	18
Tank material	Plastic	Plastic	Metal	Plastic	Metal
Supply cord - length (m)	4	4	4	6	6

Operation instructions

Switching on the vacuum cleaner

On/Off - position "A" (ref. page 12)

Switch "0-I"



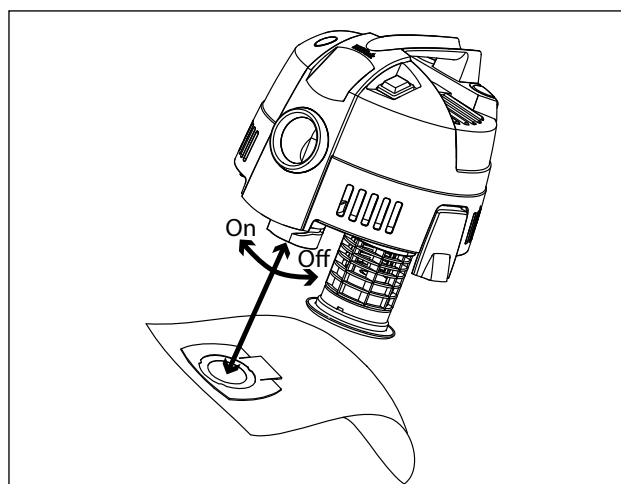
Switch position	Function
I	On
0	Off

Filter change (ref. illu. 4, page 4)

1. Disconnect the power supply.
2. Turn the filter disc counter-clockwise. Carefully remove the filter and check it for damages. Replace the filter if necessary and dispose the filter according to legal regulations. Using wet and dry filter, clean the filter by compressed air (keep proper distance in order not to damage the filter with the air stream) or rinse in water. Dry the filter before use.
3. Carefully clean the filter sealing areas, mount the filter and tighten the filter clockwise.

Changing filter bag

1. Disconnect the power supply.
2. Carefully turn the carton flap on the inlet fitting counter-clockwise and remove the used filter bag. Dispose the filter bag in accordance with legal regulations.
3. Insert the new filter bag by pressing it gently to the inlet fitting and turn it clockwise. Nilfisk always recommends to use original dust bags from Nilfisk, suitable for fine dust.



EN

DE

FR

ES

PT

IT

NL

EL

SV

NO

DA

FI

EN

Declaration of Conformity

DE

We,

FR

Nilfisk A/S
Kornmarksvej 1
DK-2605 Broendby
DENMARK

ES

hereby solely declare that the product:

PT

IT

Brand	Description	Model
Vacuum cleaner for wet and dry operation	220-240 V ~, 50/60 Hz - 1200 W, IP 24	Buddy II

NL

is in compliance with the following standards:

EL

SV

NO

DA

FI

Id and Version	Title
EN 60335-1:2012	Household and similar electrical appliances - Safety - Part 1: General requirements
EN 60335-2-2:2010 + A11:2012+A1:2013	Household and similar electrical appliances - Safety - Part 2-2: Particular requirements for vacuum cleaners and water-suction cleaning appliances
EN 55014-1:2006 +A2:2011	Electromagnetic compatibility - Requirements for household appliances, electric tools and similar apparatus - Part 1: Emission
EN 55014-2:1997+A2:2008	Electromagnetic compatibility - Requirements for household appliances, electric tools and similar apparatus - Part 2: Immunity - Product family standard
EN 61000-3-2:2006+A2:2009	Electromagnetic compatibility (EMC) - Part 3-2: Limits - Limits for harmonic current emissions (equipment input current ≤ 16 A per phase)
EN 61000-3-3:2013	Electromagnetic compatibility (EMC) - Part 3-3: Limits - Limitation of voltage changes, voltage fluctuations and flicker in public low-voltage supply systems, for equipment with rated current ≤ 16 A per phase and not subject to conditional connection

Following the provisions of:

Low Voltage Directive 2006/95/EC
EMC Directive 2004/108/EC
RoHS Directive 2011/65/EC

Hadsund 13-02-2014 Anton Sørensen
Senior Vice President – Global Operations
R&D – Vacuum Cleaners and High Pressure Washers



Place	Dated	Name and title	Signature
-------	-------	----------------	-----------



<http://www.nilfisk.com>

HEAD QUARTER

DENMARK

Nilfisk A/S
Kornmarksvej 1
DK-2605 Broendby
Tel.: (+45) 4323 8100
Website: www.nilfisk.com

SALES COMPANIES

ARGENTINA

Nilfisk srl.
Edificio Central Park
Herrera 1855, 6th floor/604
Ciudad de Buenos Aires
Tel.: (+54) 11 6091 1571
Website: www.nilfisk.com.ar

AUSTRALIA

Nilfisk Pty Ltd
Unit 1/13 Bessemer Street
Blacktown NSW 2148
Tel.: (+61) 2 98348100
Website: www.nilfisk.com.au

AUSTRIA

Nilfisk GmbH
Metzgerstrasse 68
5101 Bergheim bei Salzburg
Tel.: (+43) 662 456 400 90
Website: www.nilfisk.at

BELGIUM

Nilfisk n.v.-s.a.
Riverside Business Park
Boulevard Internationalelaan 55
Bâtiment C3/C4 Gebouw
Bruxelles 1070
Tel.: (+32) 14 67 60 50
Website: www.nilfisk.be

BRAZIL

Nilfisk do Brasil
Av. Eng. Luis Carlos Berrini, 550
40 Andar, Sala 03
SP - 04571-000 Sao Paulo
Tel.: (+11) 3959-0300 / 3945-4744
Website: www.nilfisk.com.br

CANADA

Nilfisk Canada Company
240 Superior Boulevard
Mississauga, Ontario L5T 2L2
Tel.: (+1) 800-668-8400
Website: www.nilfisk.ca

CHILE

Nilfisk S.A. (Comercial KCS Ltda)
Salar de Llamara 822
8320000 Santiago
Tel.: (+56) 2684 5000
Website: www.nilfisk.cl

CHINA

Nilfisk
4189 Yindu Road
Xinzhuang Industrial Park
201108 Shanghai
Tel.: (+86) 21 3323 2000
Website: www.nilfisk.cn

CZECH REPUBLIC

Nilfisk s.r.o.
VGP Park Horní Počernice
Do Čertous 1/2658
193 00 Praha 9
Tel.: (+420) 244 090 912
Website: www.nilfisk.cz

DENMARK

Nilfisk Danmark A/S
Industrivej 1
Hadsund, DK-9560
Tel.: 72 18 21 20
Website: www.nilfisk.dk

FINLAND

Nilfisk Oy Ab
Koskelontie 23 E
02920 Espoo
Tel.: (+358) 207 890 600
Website: www.nilfisk.fi

FRANCE

Nilfisk SAS
26 Avenue de la Baltique
Villebon sur Yvette
91978 Courtabouef Cedex
Tel.: (+33) 169 59 87 00
Website: www.nilfisk.fr

GERMANY

Nilfisk GmbH
Guido-Oberdorfer-Straße 2-10
89287 Bellenberg

Tel.: (+49) (0)7306/72-444
Website: www.nilfisk.de

GREECE

Nilfisk A.E.
Ανταρσέως 29
Κορωπύ T.K. 194 00
Tel.: (30) 210 9119 600
Website: www.nilfisk.gr

HOLLAND

Nilfisk B.V.
Versterkerstraat 5
1322 AN Almere
Tel.: (+31) 036 5460760
Website: www.nilfisk.nl

HONG KONG

Nilfisk Ltd.
2001 HK Worsted Mills
Industrial Building
31-39, Wo Tong Tsui St.
Kwai Chung, N.T.
Tel.: (+852) 2427 5951
Website: nilfisk.com

HUNGARY

Nilfisk Kft.
II. Rákóczi Ferenc út 10
2310 Szigetszentmiklós-Lakihegy
Tel.: (+36) 24 475 550
Website: www.nilfisk.hu

INDIA

Nilfisk India Limited
Pramukh Plaza, 'B' Wing, 4th floor, Unit No. 403
Cardinal Gracious Road, Chakala
Andheri (East) Mumbai 400 099
Tel.: (+91) 22 6118 8188
Website: www.nilfisk.in

IRELAND

Nilfisk
1 Stokes Place
St. Stephen's Green
Dublin 2
Tel.: (+35) 3 12 94 38 38
Website: www.nilfisk.ie

ITALY

Nilfisk SpA
Strada Comunale della Braglia, 18
26862 Guardamiglio (LO)
Tel.: (+39) (0) 377 414021
Website: www.nilfisk.it

JAPAN

Nilfisk Inc.
1-6-6 Kita-shinyokohama, Kouhoku-ku
Yokohama, 223-0059
Tel.: (+81) 45548 2571
Website: www.nilfisk.com

MALAYSIA

Nilfisk Sdn Bhd
Sd 33, Jalan KIP 10
Taman Perindustrian KIP
Sri Damansara
52200 Kuala Lumpur
Tel.: (60) 3603 627 43 120
Website: www.nilfisk.com

MEXICO

Nilfisk de Mexico, S. de R.L. de C.V.
Pirineos #515 Int.
60-70 Microparque
Industrial WSantiago
76120 Queretaro
Tel.: (+52) (442) 427 77 00
Website: www.nilfisk.com

NEW ZEALAND

Nilfisk Limited
Danish House
6 Rockridge Avenue
Penrose, Auckland 1061
Tel.: (+64) 9526 3890
Website: www.nilfisk.com.au

NORWAY

Nilfisk AS
Bjørnerudveien 24
1266 Oslo
Tel.: (+47) 22 75 17 80
Website: www.nilfisk.no

PERU

Nilfisk S.A.C.
Calle Boulevard 162, Of. 703, Lima 33- Perú
Lima
Tel.: (511) 435-6840
Website: www.nilfisk.com

POLAND

Nilfisk Sp. Z.O.O.
Millenium Logistic Park
ul. 3 Maja 8, Bud. B4
05-800 Pruszków
Tel.: (+48) 22 738 3750
Website: www.nilfisk.pl

PORTUGAL

Nilfisk Lda.
Sintra Business Park
Zona Industrial Da Abrunheira
Edifício 1, 1º A

P2710-089 Sintra
Tel.: (+351) 21 911 2670
Website: www.nilfisk.pt

RUSSIA

Nilfisk LLC
Vyatskaya str. 27, bld. 7/1st
127015 Moscow
Tel.: (+7) 495 783 9602
Website: www.nilfisk.ru

SINGAPORE

Den-Sin
22 Tuas Avenue 2
639453 Singapore
Tel.: (+65) 6268 1006
Website: www.densin.com

SLOVAKIA

Nilfisk s.r.o.
Bancíkovej 1/A
SK-821 03 Bratislava
Tel.: (+421) 910 222 928
Website: www.nilfisk.sk

SOUTH AFRICA

WAP South Africa
12 Newton Street
Spartan 1630
Tel.: (+27) 11 975 7060
Website: www.wap.com.za

SOUTH KOREA

Nilfisk Korea
3F Duksoo B/D, 317-15
Sungsoo-Dong 2Ga
Sungdong-Gu, Seoul
Tel.: (+82) 2497 8636
Website: www.nilfisk.co.kr

SPAIN

Nilfisk S.A.
Torre d'Ara,
Passeig del Rengle, 5 Plta. 10ª
08302 Mataró
Tel.: (34) 93 741 2400
Website: www.nilfisk.es

SWEDEN

Nilfisk AB
Täljegårdsgatan 4
431 53 Möndal
Tel.: (+46) 31 706 73 00
Website: www.nilfisk.se

SWITZERLAND

Nilfisk AG
Ringstrasse 19
Kircheberg/Industri Stelz
9500 Wil
Tel.: (+41) 71 92 38 444
Website: www.nilfisk.ch

TAIWAN

Nilfisk Ltd
Taiwan Branch (H.K)
No. 5, Wan Fang Road
Taipei
Tel.: (+88) 6227 00 22 68
Website: www.nilfisk.tw

THAILAND

Nilfisk Co. Ltd.
89 Soi Chokechai-Ruammitr
Viphavadee-Rangsit Road
Ladyao, Jatuchak, Bangkok 10900
Tel.: (+66) 2275 5630
Website: www.nilfisk.co.th

TURKEY

Nilfisk A.S.
Serifali Mh. Bayraktar Bulv. Sehit Sk. No:7
Umraniye, 34775 Istanbul
Tel.: +90 216 466 94 94
Website: www.nilfisk.com.tr

UNITED ARAB EMIRATES

Nilfisk Middle East Branch
SAIF-Zone
P.O. Box 122298
Sharjah
Tel.: (+971) (0) 655-78813
Website: www.nilfisk.com

UNITED KINGDOM

Nilfisk Ltd.
Nilfisk House, Bowerbank Way
Gilwilly Industrial Estate, Penrith
Cumbria CA11 9BQ
Tel.: (+44) (0) 1768 868995
Website: www.nilfisk.co.uk

UNITED STATES

Nilfisk Inc.
14600 21st Avenue North
Plymouth, MN-55447
Tel.: (+1) 800-989-2235
Website: www.nilfisk.com

VIETNAM

Nilfisk Vietnam
No. 51 Doc Ngu Str.
P. Vinh Phúc, Q.Ba Dinh
Hanoi
Tel.: (+84) 761 5642
Website: www.nilfisk.com